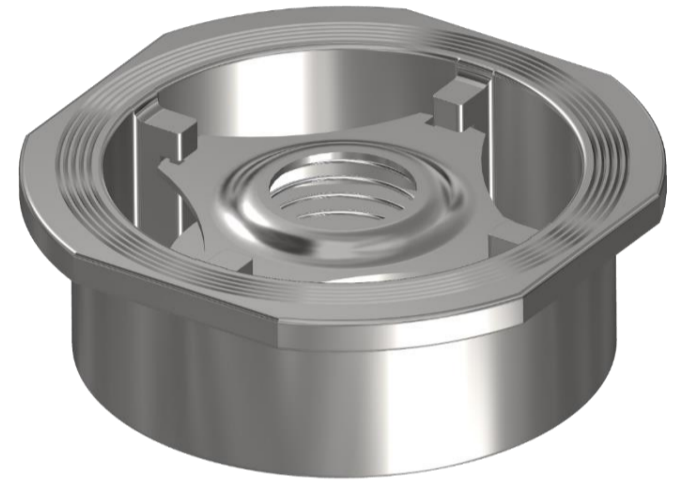


Check Valves

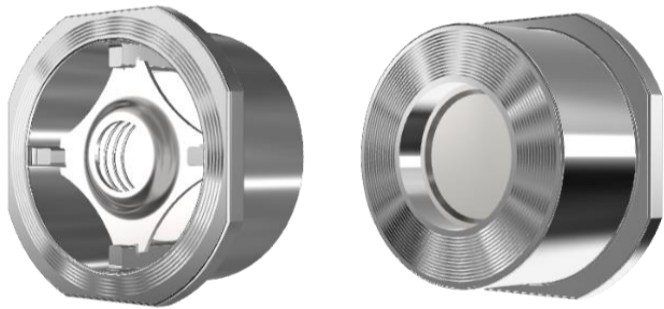
Wafer Type Non Return Valve

The stainless steel 304 disc check valve has a compact design and was specially designed for use with steam and hot condensate. Connections are flanged (wafer type)

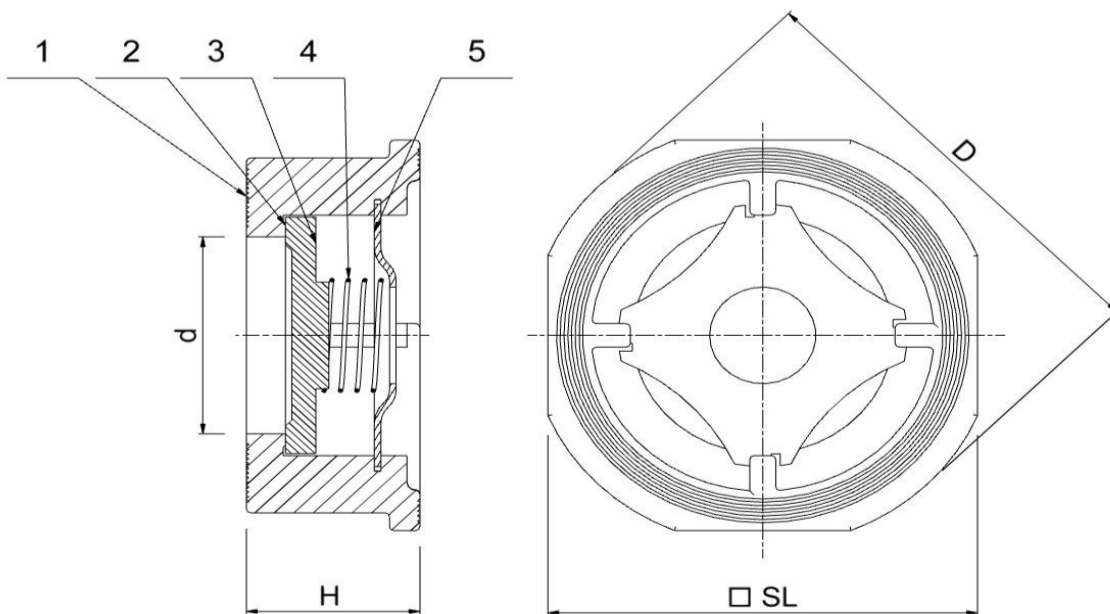
Main features	- Low pressure drop - Simple and compact design - Horizontal or vertical installation
Use	Culinary steam and Saturated steam, water, oil and other gases (Group 2) compatible with the construction
Connections	DN 15 to DN 100 Sandwiched between flanges
Installation	Horizontal or vertical installation
Rating	Standard PN40, other pressure classes on request
Material	Standard 304, other materials on request



Check valves Wafer type



Size	Part number	H	D	d	SL
DN15	CV-015	16,2	55,1	15,0	46,1
DN20	CV-020	19,0	63,6	20,4	55,2
DN25	CV-025	22,7	74,2	24,0	66,1
DN32	CV-032	27,6	84,5	32,4	79,4
DN40	CV-040	31,5	95,2	38,3	90,0
DN50	CV-050	39,8	107,8	50,2	100,0
DN65	CV-065	46,1	129,9	61,9	121,3
DN80	CV-080	50,1	143,7	75,9	134,2
DN100	CV-100	61,0	168	95,0	-



Item	Part name	Material
1	Body	A351 CF8
2	Seat	AISI 304
3	Disc	A351 CF8
4	Disc Spring	AISI 304
5	Stop Collar	A351 CF8