

Manual Doubledisc Valves

The Doubledisc LUDD7 line of valves boasts the same robust 316 grade stainless steel construction, easy disassembly and also meets the requirements of 3-A Sanitary Standards.

Doubledisc is a true "T" sanitary divert valve, with one stem controlling two ports.

With half turn operation, single stem control of two ports and optional locking handle, the Doubledisc can fit a wide range of process requirements.

Designed for value as well as performance, the only elements that ever need replacing are the two seats and two stem O-rings.

Main features

- Dissassembles without tools.
- Single Stem controls both ports
- Only 4 wear parts, 2x Seat and 2x O-ring.
- Two leak detector holes on stem alert operator to worn O-rings.
- Easy-to-read Open/Close label
- 3-A Sanitary Standards

Industry for use

Dairy, Food and Beverage

Connections

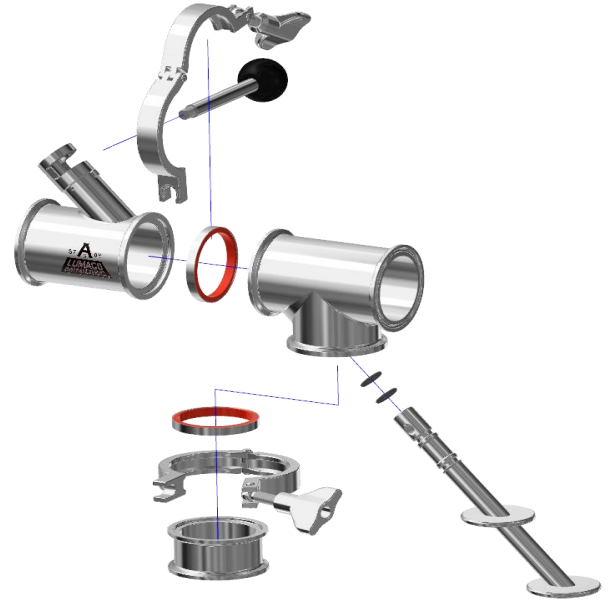
Various combinations of clamp and weld are available.


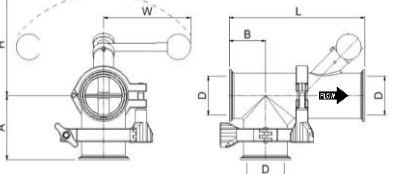

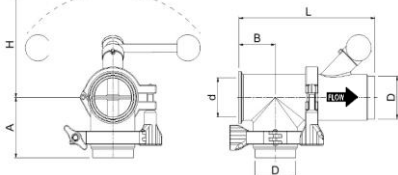
Options

- Various handle options available
- Electronic Open/Close detections available
- Service kits available in any combination.

Materials

- Product contact parts grade 316 stainless steel
- Seat material options; Silicone, EPDM, Buna, Viton, PTFE.
- O-ring material options; Silicone, EPDM Buna, Viton.



3-A Manual Doubledisc® valves LUDD7 - Clamp / Clamp / Clamp		Size	Basic Part number	Partnumber	L	H	W	A	B	Inside D	Max. Working Pressure
											Bar / Psi
		2"	MD-002-FFF		173	142	110	79	47	48	5 / 075
		2,5"	MD-212-FFF		243	147	110	88	56	60	5 / 075
3-A Manual Doubledisc® valves LUDD7 - Weld / Weld / Clamp		Size	Basic Part number	Partnumber	L	H	W	A	B	d / D	Max. Working Pressure
											Bar / Psi
		2"	MD-002-AAC		173	142	110	73	47	48 / 52	5 / 075
		2,5"	MD-212-AAC		243	147	110	82	56	60 / 64	5 / 075