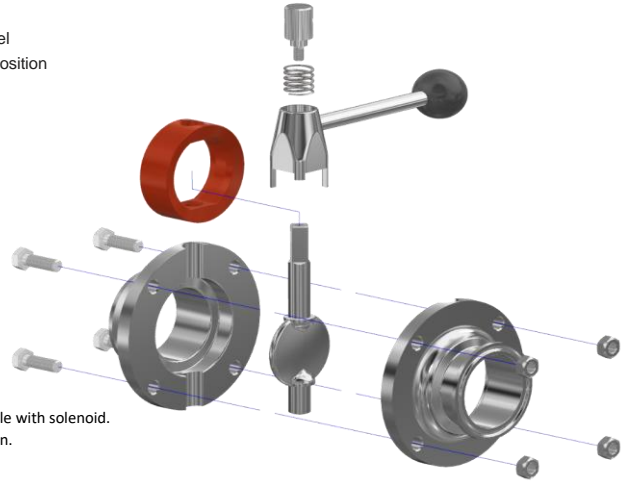


## Butterfly Valves

Constructed of grade 316 stainless steel, the Butterfly valve series features a compact design to fit where space is at a premium and has been engineered to provide leak-free performance. The heavy-duty highly elastic seat is held firmly in place by the two halves of the valve body, forming a leak-proof seal around the stem. When the Butterfly valve is open, the disc sits parallel to product flow – rotate 90° and the disc seats into the heavy-duty gasket for positive shut-off. The handle with spring-loaded button locks the Butterfly valve open or closed.

<b>Main features</b>	Valve product contact parts constructed of grade 316L stainless steel For manual operated valves, spring loaded button on handle locks position Disc seats into heavy-duty gasket for no-leak seal
<b>Industry for use</b>	Compact, sanitary design Actuator easily mount in seconds with two set screws. Dairy, Food and Beverage
<b>Connections</b>	Any combination of clamp, weld or bevel-seat ends
<b>Operating modes</b>	For manual operated valves, multi-position handle available Air to Open / Spring to Close (false-Safe) Spring to Open / Air to Close Air to Open / Air to Close
<b>Options</b>	Service kits available in any combination. Safety feedback unit with Stainless steel housing, available with solenoid. Electronic safety feedback unit with easily self-calibrate function, available with solenoid. Electronic controller with continuously compare the current valve position.
<b>Materials</b>	Valve Body and disc and stem grade 316 stainless steel Valve seat material options: Silicone, EPDM, FKM or PTFE coated FKM



Butterfly valve manual operated - Clamp / Clamp		Basic								Max. Working Pressure
Size	Part number	W	L	W	H	A	D		Bar / Psi	
1"	VS-001-FF	135	74	135	94	84	23		6 / 090	
1,5"	VS-112-FF	135	74	135	100	97	35		6 / 090	
2"	VS-002-FF	135	74	135	105	109	48		6 / 090	
2,5"	VS-212-FF	135	74	135	115	125	60,3		6 / 090	
3"	VS-003-FF	135	84	135	120	137	73		6 / 090	
4"	VS-004-FF	155	84	155	132	160	98		6 / 090	
6"	VS-006-FF	215	90	215	175	229	148		6 / 090	

Butterfly valve air to air operated - Clamp / Clamp		Basic								Max. Working Pressure
Size	Part number	W	L	W	H	A	D		Bar / Psi	
1"	VS-001-FF-AA	110	74	110	170	84	23		6 / 090	
1,5"	VS-112-FF-AA	110	74	110	177	97	35		6 / 090	
2"	VS-002-FF-AA	110	74	110	183	109	48		6 / 090	
2,5"	VS-212-FF-AA	110	74	110	191	125	60,3		6 / 090	
3"	VS-003-FF-AA	110	84	110	197	137	73		6 / 090	
4"	VS-004-FF-AA	110	84	110	214	160	98		6 / 090	
6"	VS-006-FF-AA	285	90	285	336	229	148		6 / 090	

Butterfly valve air to spring operated - Clamp / Clamp		Basic								Max. Working Pressure
Size	Part number	W	L	W	H	A	D		Bar / Psi	
1"	VS-001-FF-AS	182	74	182	170	84	23		6 / 090	
1,5"	VS-112-FF-AS	182	74	182	177	97	35		6 / 090	
2"	VS-002-FF-AS	182	74	182	183	109	48		6 / 090	
2,5"	VS-212-FF-AS	198	74	198	191	125	60,3		6 / 090	
3"	VS-003-FF-AS	198	84	198	197	137	73		6 / 090	
4"	VS-004-FF-AS	272	84	272	214	160	98		6 / 090	
6"	VS-006-FF-AS	285	90	285	336	229	148		6 / 090	