

## Air-Actuated Doubledisc Valves

The Doubledisc LUD7 line of valves boasts the same robust 316 grade stainless steel construction, easy disassembly and also meets the requirements of 3-A Sanitary Standards.

Doubledisc is a true "T" sanitary divert valve, with one stem controlling two ports.

With half turn operation, single stem control of two ports and optional locking handle, the Doubledisc can fit a wide range of process requirements.

Designed for value as well as performance, the only elements that ever need replacing are the two seats and two stem O-rings.

### Main features

- Actuator easily mount in seconds with one bolt
- Single Stem controls both ports
- Only 4 wear parts, 2x Seat and 2x O-ring
- Two leak detector holes on stem alert operator to worn O-rings
- Easy-to-read Open/Close label
- 3-A Sanitary Standards

### Industry for use

Dairy, Food and Beverage

### Connectio

Various combinations of clamp, weld ends or available

### Operating modes

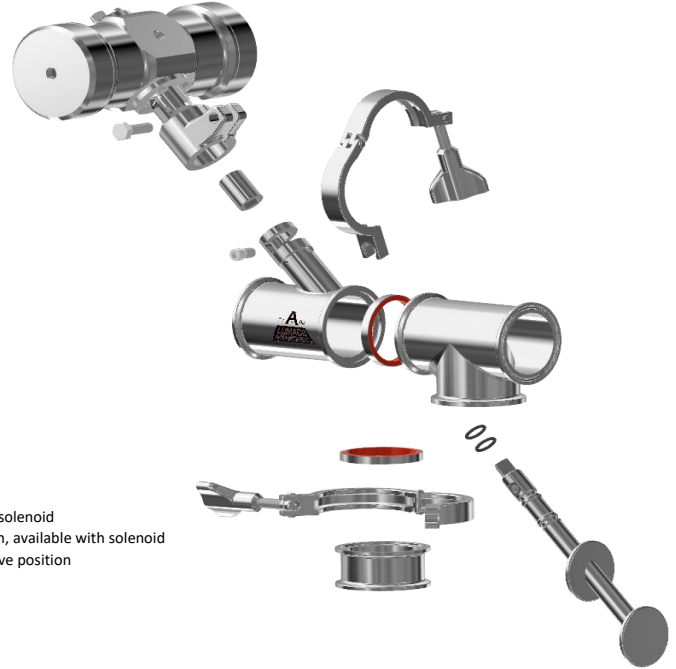
- Air to Open / Spring to Close (fail-Safe)
- Spring to Open / Air to Close
- Air to Open / Air to Close


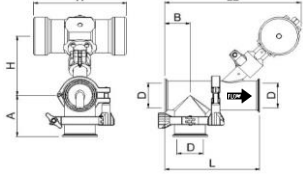

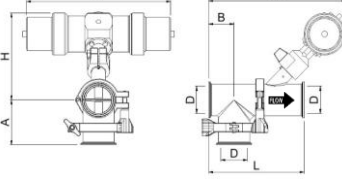
### Options

- Service kits available in any combination
- Safety feedback unit with Stainless steel housing, available with solenoid
- Electronic safety feedback unit with easily self-calibrate function, available with solenoid
- Electronic controller with continuously compare the current valve position

### Materials

- Product contact parts grade 316 stainless steel
- Seat material options; Silicone, EPDM, Buna, Viton, PTFE
- O-ring material options; Silicone, EPDM Buna, Viton



3A Doubledisc® valves LUD7 - manual operated - Clamp / Clamp / Clamp		Size	Basic Part number	Partnumber	L / L2	H	W	A	B	Inside D	Max.Working Pressure Bar / Psi
		2"	MD-002-FF	173 / 248	115	169	79	47	48	5 / 075	
		2,5"	MD-212-FF	178 / 243	155	169	88	56	60	5 / 075	
3A Doubledisc® valves LUD7 - manual operated - Clamp / Weld / Weld		Size	Basic Part number	Partnumber	L / L2	H	W	A	B	D	Max.Working Pressure Bar / Psi
		2"	MD-002-AA	173 / 248	115	260	79	47	48	5 / 075	
		2,5"	MD-212-AA	178 / 243	155	260	88	56	60	5 / 075	