



**BA3-MA-100-E01**

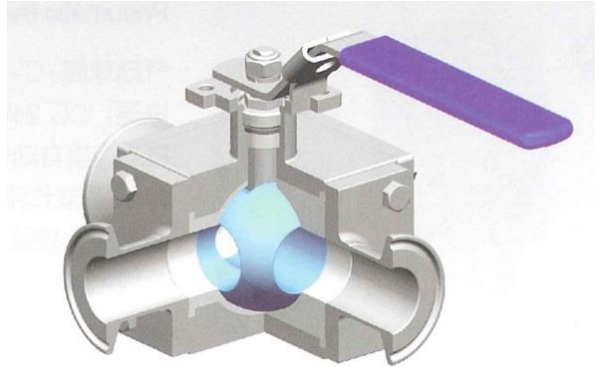
## Table of contents

<b>1</b>	<b>Applications</b> .....	<b>3</b>
<b>2</b>	<b>Technical Specification</b> .....	<b>3</b>
<b>3</b>	<b>Structure Ball Valve</b> .....	<b>4</b>
<b>4</b>	<b>Manual Ball valve Dimension</b> .....	<b>5</b>
<b>5</b>	<b>Technical Drawing</b> .....	<b>6</b>

# 1 Applications

The hygienic design of the Ball Valves is widely used in;

- Food processing
- Beverage
- Fruit juices
- Wine
- Biopharmaceutical



# 2 Technical Specification

Size: 1"-4", DN25-DN100

Material: 1.4301/304, 316L/1.4404

Gaskets: PTFE/TFM (FDA 177.1550)

Temperature: -20°C to 150°C (Standard)

-30°C - 200°C (Option)

Pressure: 10-30 bar (Depending on seal material and temperature)

Operating modes: manual, pneumatic, electric

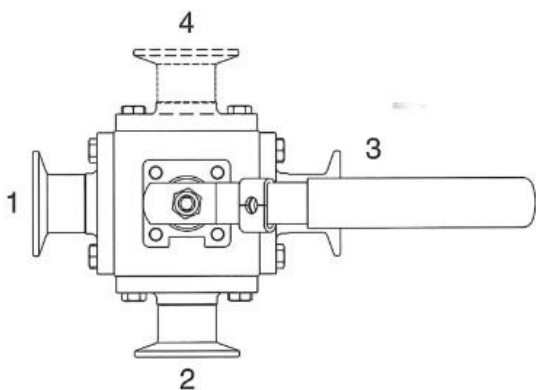
Surface finishing: Internal surface Ra0.6 μm, external surface sand blast.

Certificate: PED/97/23/EC, 3A, FDA

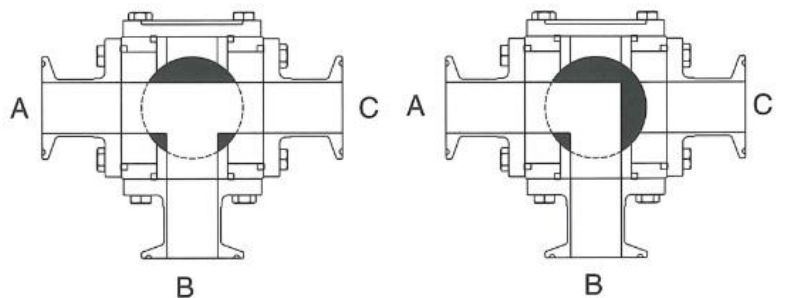
Control: process controller, valve positioning (see controller directory)

C-TOP control unit, AS-1 Device Net bus communication

terminal connection (options), position sensor PNP, NPN (options)



The ball valve has 4 directions (Figure 1,2,3,4) according to the customer, needs to install different number of flange in direct direction.



### 3 Structure Ball Valve



SIZE: 1"-4", DN25-DN100  
 Optional position sensor  
 Air/Spring, Air/Air



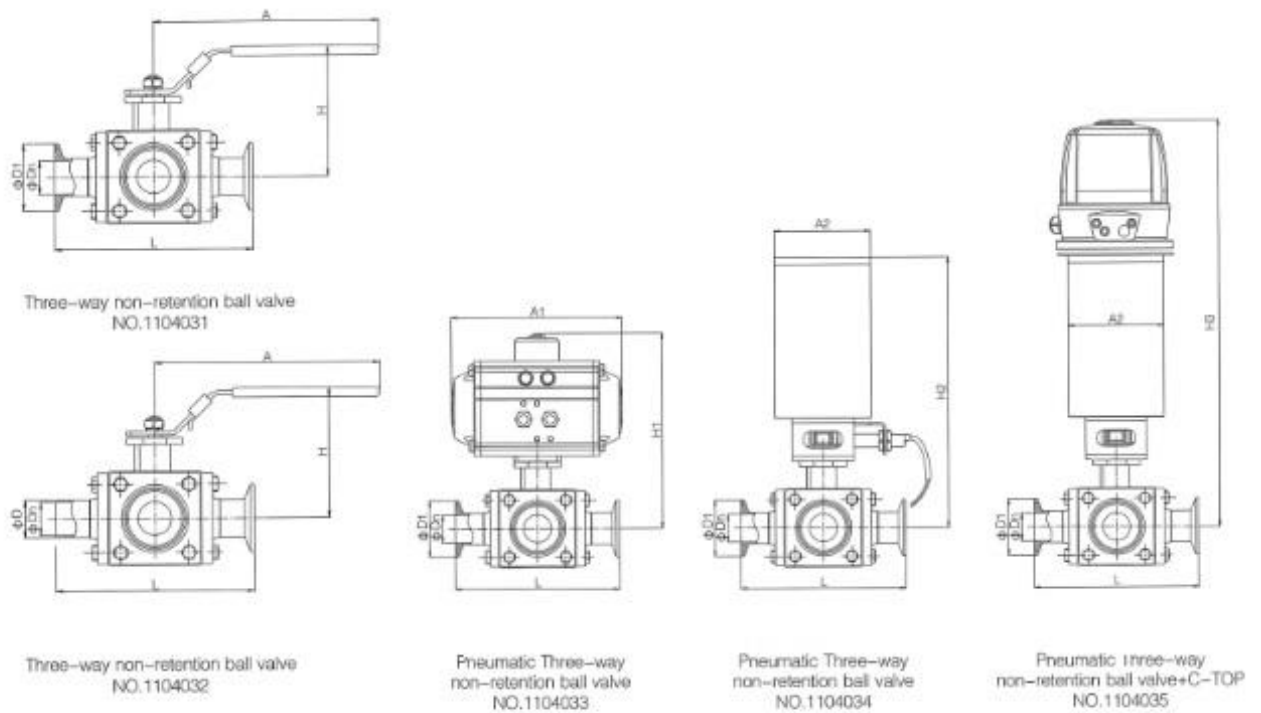
Pneumatic ball valve+C-TOP  
 Power:DC 24V ± 10%  
 PLC Connection automatically control  
 Single/double action(options)  
 Basic version:terminal block  
 Bus version:AS- I BUS  
 Device Net(options)



SIZE: 1/2"-4", DN10-DN100  
 Input:0/4-20mA/0-5/10V  
 Output:0/4-20mA/0-5/10V(Position sensor)  
 Bus-DEVICE NET BUS  
 Air/Spring, Air/Air

On/off type  
 Intelligent(4-20mA)  
 Position sensor  
 Power DC.24V

## 4 Manual Ball valve Dimension



INCH

SIZE	ISO5211	$\phi D_n$	$\phi D$	$\phi D1$	L	H	A	H1	A1	H2	A2	H3
1"	F04/F05	22.4	25.4	50.5	148	97	165	157	160.5	247	86	382
1.25"	F04/F05	28.8	31.8	50.5	152	102	165	162	217	252	86	387
1.5"	F05/F07	35.1	38.1	50.5	180	113	170	204	217	262	86	397
2"	F05/F07	47.8	50.8	64	200	122	170	215	250	271	86	406
2.5"	F07/F10	59.5	63.5	77.5	252	140	240	245	268.5	355	113	490
3"	F07/F10	72.2	76.2	91	284	151	240	271	315	391	132	526
4"	F07/F10	97.6	101.6	119	321	177	255	323	345	434	166	569

DIN

SIZE	ISO5211	$\phi D_n$	$\phi D$	$\phi D1$	L	H	A	H1	A1	H2	A2	H3
DN25	F04/F05	25	28	50.5	148	97	165	157	160.5	247	86	382
DN32	F04/F05	31	34	50.5	152	102	165	162	217	252	86	387
DN40	F05/F07	37	40	50.5	180	113	170	204	217	262	86	397
DN50	F05/F07	49	52	64	200	122	170	215	250	271	86	406
DN65	F07/F10	66	70	91	264	145	240	249	268.5	360	113	495
DN80	F07/F10	81	85	108	296	157	240	276	315	397	132	532
DN100	F07/F10	100	104	119	321	177	255	323	345	434	166	569

# 5 Technical Drawing

**Applications**

The hygienic design of the valve is widely used in the field of food processing, beverages, fruit juices, wine, biopharmaceutical, and vary flexible body combinations. For example, L-Port or T-Port can be interchangeable on-site. Inlet, Outlet to be any combination of changes can guarantee dead angle, non retention.

**Technical Specification**

Size	DN100
Material	PTFE
Gaskets	PTFE (Option TFM - FDA 177,1550)
Temperature	+20 C - 150 C (Option -30 C - 200 C)
Pressure	10 Bar (Depending on Seal material and Temperature)
Operating modus	Manual (Option Pneumatic / Electric)
Ball valve type	L-Bore (Option T-Bore)
Port connection type	Threaded piece Dn 11851
Surface finishing	Internal surface Ra 0,8 µm - External surface Sand Blast
Certificate	PED97/23/EC-3A,FDA

**Working diagram**

Position 1 - Port 1 ↔ 2

Position 2 - Port 2 ↔ 3

Position 3 - Closed

**Dimensions**

**MAINTENANCE KIT: BA3-MK-100-P**

Item	Qty	Part number	Description	Material
80	1	BA-GLP-100-080-GF25	Gland packing	PTFE
70	1	BA-S-100-070-P	Seal	PTFE
60	1	BA-S-100-060-P	Seal	PTFE
40	4	BA-OR-100-040-E	O-ring	EPDM
32	1	BA3-S-100-032-P-BL	Seat	PTFE
31	1	BA3-S-100-031-P	Seat	PTFE
30	2	BA3-S-100-030-P	Seat	PTFE
197	1	BA-MO-100-197	Screw	AISI 304
196	1	BA-H3-100	Handle	AISI 304
195	4	BA-MO-100-195	Bolt	AISI 304
190	1	BA-LW-100-190	Lock washer	AISI 304
180	1	BA3-ST-100	Stem	AISI 304
120	16	BA-MO-100-120	Spring washer	AISI 304
110	16	BA3-MO-100-110	Ball	AISI 304
100	1	BA-COR-100-100-T	Contact ring	POM Black
90	1	BA-BEW-100-090	Belleville washer	AISI 304
52	1	BA3-F-100-052-BL	Ferrule blind piece	AISI 316L
51	1	BA3-F-100-051-A2	Ferrule threaded piece	AISI 316L
50	2	BA3-F-100-050-A2	Ferrule threaded piece	AISI 316L
20	1	BA3-BA-100	Ball	AISI 316L
10	1	BA3-B-100	Body	AISI 316L

Part number: **BA3-100-B1B1B1-P-304**

Tree-way non-retension ball valve DN100

Drawn: A.Hoelscher  
Date: 31-03-2017  
Sheet: 1 of 1  
Status: -

Revision: -  
Format: A3

